



ACROLAND  
TIMBERS



Your  
One Stop  
Timber  
Solution

# About Us

Acroland Timbers traces its origins to Green Gold Timbers, a company established in 1999 with over 25 years of expertise in timber imports. As a leading name in the industry, Green Gold Timbers has built a strong reputation for quality and reliability.

In 2015, Acroland was founded with the vision of creating a distinct product line that would complement and enhance Green Gold Timbers' existing offerings. Driven by the leadership and guidance of Mr. Anuj Manglik, the company has experienced phenomenal growth, establishing itself as a prominent force in the industry. In 2019, Acroland Timbers was founded, taking the business one step ahead. With ISO 2001 certification for quality assurance, Acroland upholds the highest standards in its processes, reinforcing its commitment to excellence and reliability.





# Infrastructure

Our expertise and infrastructure ensure high-volume orders while maintaining Acroland Timbers' quality. We use FSC & PEFC-certified timber for sustainability.

With extensive operations and cutting-edge capabilities, we ensure seamless production and global compliance.

- Import a staggering 35,000 cubic meters of timber annually.
- State-of-the-art facilities spanning 12 acres.
- Equipped with advanced machinery and technology.
- Installed processing/sawing capacity of 1.25 lakh cubic feet per month.
- Own licensed heat treatment chambers.
- Import kiln-dried lumber from Europe.

# Categories

## PALLETS



## CABLE DRUM



## SAWN LUMBER

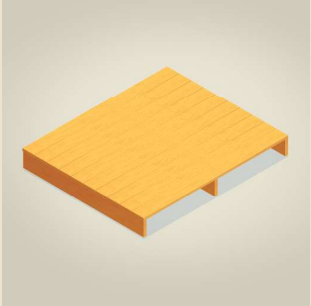


# Pallets

TWO WAY ENTRY  
Reversible



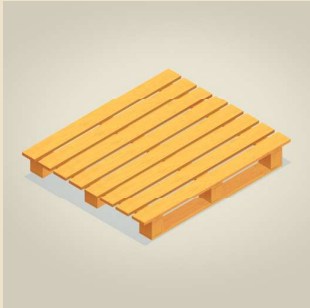
TWO WAY ENTRY  
Close Boarded, No Base Board



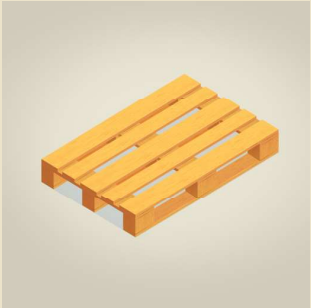
TWO WAY ENTRY  
Wing Type



FOUR WAY ENTRY  
Close Boarded, 3 Base



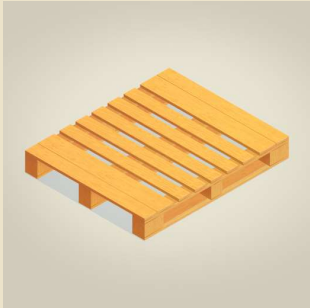
1200 x 800  
Eorp Pallet



FOUR WAY ENTRY  
Perimeter Base



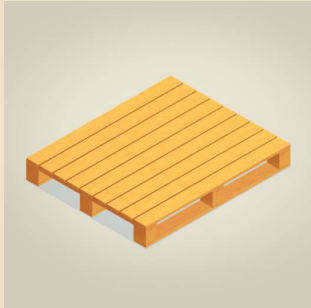
FOUR WAY ENTRY  
Wing type



FOUR WAY ENTRY  
Close Boarded, Perimeter Base

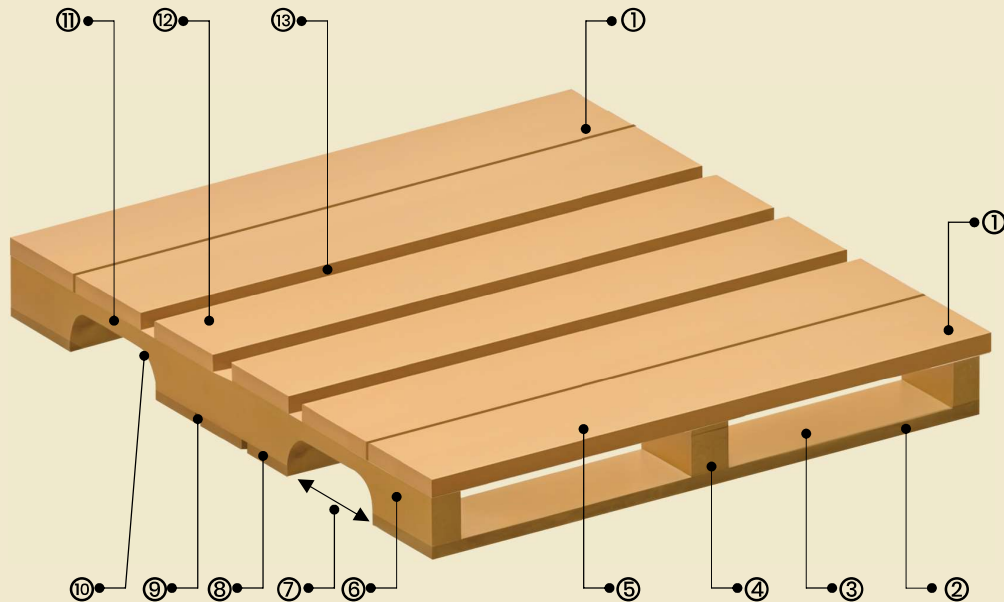


FOUR WAY ENTRY  
Open Boarded, 3 Base



# Pallets

## > Stringer Pallet } FMCG Industry Favorite Euro pallet



- |                             |                            |                                |                                    |
|-----------------------------|----------------------------|--------------------------------|------------------------------------|
| 1. Top Lead (end) Deckboard | 2. Chamfer                 | 3. Bottom Lead (end) Deckboard | 4. Center Stringer                 |
| 5. Butted End Deckboards    | 6. Outer Stringer (runner) | 7. Wheel Opening               | 8. Bottom Deckboards               |
| 9. Bottom Deck Opening      | 10. Stringer Notch         | 11. Stringer Foot              | 12. Top Interior (inner) Deckboard |
| 13. Top Deck Opening        |                            |                                |                                    |

## > GMA Pallet } FMCG Industry Favorite Euro pallet



SIZE	48 inch x 40inch
ENTRY TYPE	Two - way or Four Way
INDUSTRY SPECIALISATION	Food and beverages manufacturing plant
USP	<ul style="list-style-type: none"> <li>• Precision-manufactured to meet the exacting standards of the Grocery Manufacturers Association (GMA).</li> <li>• Refined elegance and structural prowess</li> </ul>

# Pallets

➤ **Block Pallet** } Strong, Solid, and Safe



SIZE	· 1200 mm x 1000 mm, 1200mm x 800 mm
ENTRY TYPE	Four-way
INDUSTRY SPECIALISATION	1200mm x 1000mm / 1200mm x 800mm
USP	<ul style="list-style-type: none"><li>• Designed to safeguard the most substantial materials during transit.</li><li>• Handles heavy loads and showcases the robustness of block pallets.</li><li>• Stand as a testament to strength,</li></ul>

# Pallets

➤ Cp3 pallet } Double Wing Pallet



SIZE	1200 mm x 1000 mm
ENTRY TYPE	Four-way
INDUSTRY SPECIALISATION	1200mm x 1000mm
USP	<ul style="list-style-type: none"><li>• Designed to safeguard the most substantial materials during transit.</li><li>• Handles heavy loads and showcases the robustness of block pallets.</li><li>• Stand as a testament to strength,</li></ul>

# Pallets

➤ Customized Pallets } Design the way you like it



SIZE	Customized
ENTRY TYPE	Bespoke
INDUSTRY SPECIALISATION	Tailored for manufacturers and firms seeking a personalized touch
USP	<ul style="list-style-type: none"><li>• Designed and structured seamlessly to harmonize with your unique needs.</li><li>• Every detail is considered, from size and strength requirements to the type of goods, warehouse specifications, and wood quality.</li></ul>

# Cable Drums

Our high-quality pine wood cable drums combine strength, durability, and reliability, making them ideal for various industrial applications. Despite being lightweight, they securely handle large cable rolls and withstand harsh weather conditions.

## Key Features

- › **Premium Pine Wood:** Ensures exceptional strength and longevity.
- › **Termite Protection:** Chemically treated for extended durability.
- › **Weather Resistant:** Built to endure extreme conditions.
- › **Sturdy & Robust:** Designed for heavy-duty industrial use.
- › **Fully Customizable:** Choose the size, weight capacity, and additional features to match your project's exact requirements.



CLIENTELE

**CHEP**

A Brambles Company



**VOLTAS**

**Emcure®**

# Our Magnets

Our company thrives on its people. With extensive experience in the pallet industry, our dedicated team ensures precision and efficiency in every order.

## Global Market Expertise

We stay ahead by actively monitoring market trends, adapting swiftly to evolving demands.

## Complete Palletizing Solutions

- Corner Protection: Secure transit with specialized techniques.
- Shrink Wrap Expertise: Advanced wrapping for protection.
- Strapping Mastery: Reinforced security for shipments.

## Sustainable & Eco-Friendly Practices

We source renewable raw materials globally, prioritizing sustainability and minimizing our carbon footprint. Our wood procurement follows FSC and PEFC standards, ensuring responsible sourcing from renewable forests.

## Cost-Effective Quality

Through value engineering and optimized operations, we offer competitive pricing without compromising quality.

## Exceptional Customer Service

From inquiry to post-purchase, our team provides personalized, proactive support, ensuring a seamless experience.

Our commitment to quality, innovation, and service has built lasting client partnerships across industries.





# ACROLAND TIMBERS

## ACROLAND TIMBERS PVT.LTD.

Survey No. 36/1, NH8A, Jawahar Nagar,  
Padana - Gandhidham - 370201. Kutch - Gujarat.

E-340, Road No. - 26, Opp. UGVCL Sanand -II, GIDC - II,  
Ahmedabad - 382110. Gujarat.

072270 89789 | [www.acrolandtimbers.com](http://www.acrolandtimbers.com)